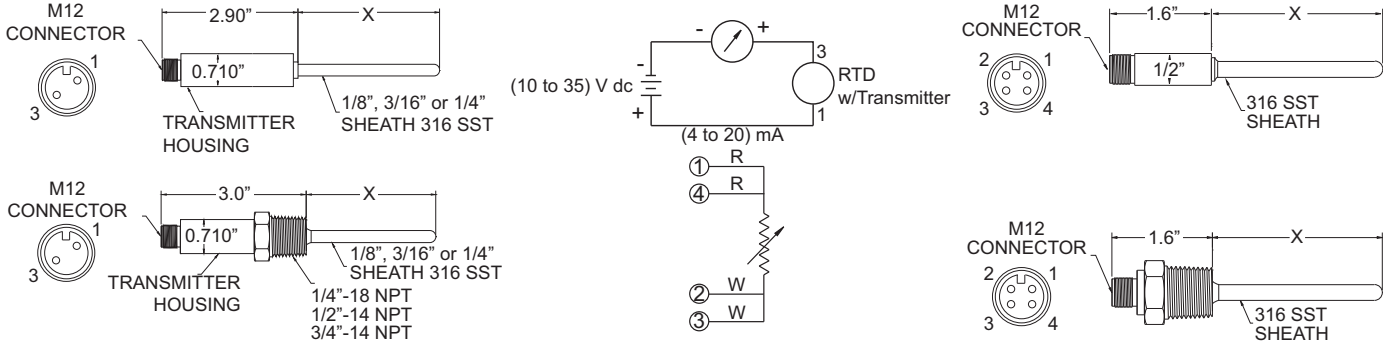


RTD Assemblies house an optional Series 450 Temperature Transmitter (no connection head is required) that is ideal for monitoring temperature in small areas such as tanks and pipes. The water-tight construction meets the NEMA 6P, IP68 Protection Rating requirements. Standard units include a sensor, an M12 process connection housing, and optional transmitter. The transmitter is a 2-wire unit with an analog output. It has measurement input for Pt100 resistance thermometers (RTD) in 4 wire connections. Transmitters can be ranged from (-51 to 160) °C [-60 to 320] °F. With a 10 °C [18 °F] minimum span requirement. **The ambient temperature limits for the M12 connector is (-40 to 85) °C.**



## ORDER CODES

**Example Order Number:** **R1T185L** - **484** - **06** - **00** - **C45, T** - **450** - **U** - **S(0-200)** **F**

### 1 Pt100 ( $\alpha=0.00385\text{ }^{\circ}\text{C}^{-1}$ ) RTD Assemblies

CODE	INITIAL ELEMENT ACCURACY @ 0 °C
R1T185L	± 0.1%
R3T185L	± 0.03%
R5T185L	± 0.01%
RAF185L	± 0.06%
RBF185L	± 0.12%
See Instrument Section for total sensor and transmitter output accuracy.	

### 2 316 S.S. Sheath

CODE	DIAMETER OD (inches)
284	1/8
384	3/16
484	1/4

### 3 Immersion Length "X"

Specify "X" length in inches using 2 digits, plus any fractional length desired. Examples: 04 = 4", 04(1/2) = 4.5"

### 4.1 Sheath Fittings

CODE	DESCRIPTION
00	No Fitting

### 4.2 Re-Adjustable Compression Fittings

CODE	DESCRIPTION	NPT (inches)	AVAILABLE SHEATH DIAMETERS (inches)
12A	Stainless Steel	1/8	1/8, 3/16
12B	Stainless Steel	1/4	3/16, 1/4
12C	Stainless Steel	1/2	1/8, 1/4
Teflon® gland standard 204 °C [400 °F] max.			

### 4.3 One-Time Adjustable Compression Fittings

CODE	DESCRIPTION	NPT (inches)	AVAILABLE SHEATH DIAMETERS (inches)
05A	Stainless Steel	1/8	1/8, 3/16, 1/4
05B	Stainless Steel	1/4	1/8, 3/16, 1/4
05C	Stainless Steel	1/2	1/8, 1/4

### 4.4 316SS Fixed Bushings

CODE	MOUNTING THREAD NPT (inches)	AVAILABLE SHEATH DIAMETERS (inches)
8A__	1/8	1/8, 3/16, 1/4
8B__	1/4	1/8, 3/16, 1/4
8C__	1/2	1/8, 3/16, 1/4
8D__	3/4	1/8, 3/16, 1/4

When ordering fixed bushings, specify order code above plus insertion length "U", as measured from hot tip to bottom of threaded bushing. EX: code 8A06 is 1/8" NPT, 316 SS bushing located 6" from hot tip.

### 5 M12 Connector Termination

CODE	DESCRIPTION
45	No Process Connection
C45	1/2" NPT Process Connection
B45	1/4" NPT Process Connection
D45	3/4" NPT Process Connection
OPTIONAL TRANSMITTER	
T	4 to 20 mA Temperature Transmitter (Requires Table 6 selection)

### 6 Transmitter

CODE	DESCRIPTION
450-00	Programmable Transmitter Unconfigured
450	Programmable Transmitter Configured

### 7 Fault Signal

CODE	DESCRIPTION
U	Upscale Burnout
D	Downscale Burnout

### 8 Range

CODE	DESCRIPTION
S	(lower limit - upper limit)

### 9 Units

CODE	DESCRIPTION
C	Celsius
F	Fahrenheit