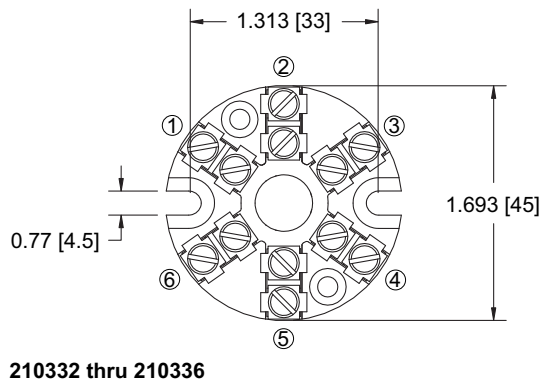
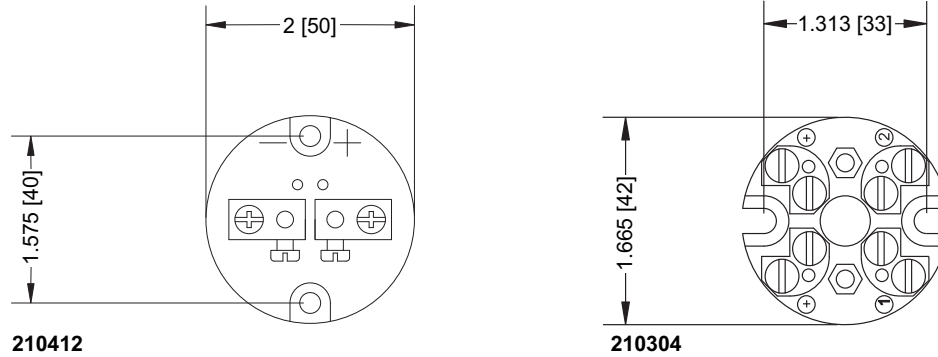


The DIN Style terminal blocks are 42 mm and 50 mm in diameter and are designed to fit all Pyromation Series 210 connection heads. The terminal blocks are supplied with a ceramic base. They can be provided in 2, 3, 4, or 6 terminal configurations.

Dimensions In Inches [mm]



CODE	DESCRIPTION	TERMINAL POSITIONS
210412	2 Pole Terminal Block (8, 11, 14 AWG)	N/A
210304	4 Pole Terminal Block	N/A
210332	2 Pole Terminal Block	①—③
210333	3 Pole Terminal Block	①—③—⑤
210334	4 Pole Terminal Block	①—③—④—⑥
210336	6 Pole Terminal Block	All Positions