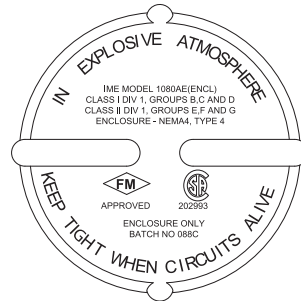
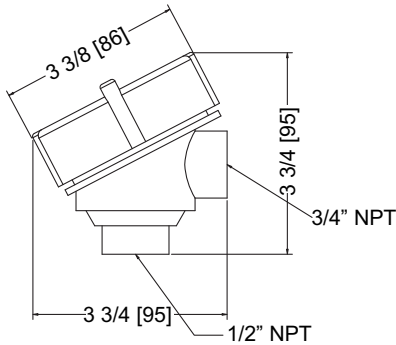
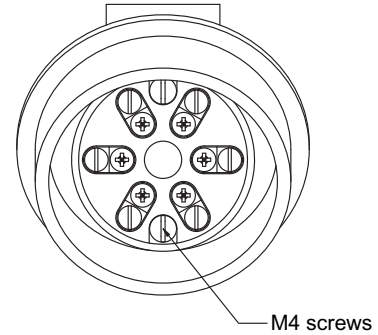


HAZARDOUS LOCATION

The Series 210804 and 210807 connection heads are FM and CSA listed and meet the requirements for Class I Groups B, C, and D; Class II Groups E, F, and G. These connection heads accommodate terminal blocks or head-mounted transmitters 42 mm and 50 mm in diameter.



Dimensions in inches [mm]



DIN Style 316 Stainless Steel Screw Cover Connection Head

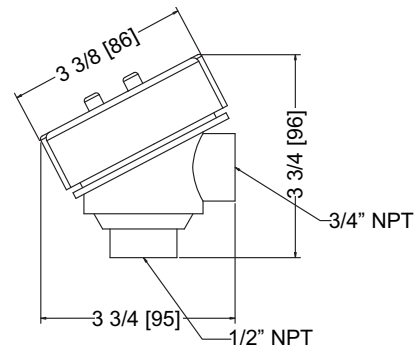
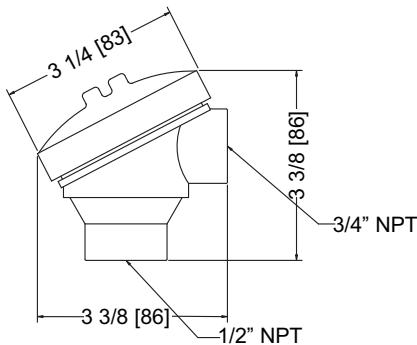
| CODE | DESCRIPTION |
|--------|-------------------------------------|
| 210804 | 1/2" NPT Process x 3/4" NPT Conduit |

DIN Style Die Cast Aluminum Screw Cover Connection Head

| CODE | DESCRIPTION |
|--------|-------------------------------------|
| 210807 | 1/2" NPT Process x 3/4" NPT Conduit |

NON-HAZARDOUS LOCATION

The Series 210904 316 stainless steel, 210480 white polypropylene, connection heads are suitable for indoor or outdoor non-hazardous applications. They provide protection against dust, rain, splashing, hose directed water, and provide excellent corrosion and chemical resistance. These connection heads accommodate terminal blocks or head-mounted transmitters 42 mm and 50 mm in diameter.



DIN Style White Polypropylene Screw Cover Connection Head

| CODE | DESCRIPTION |
|--------|-------------------------------------|
| 210480 | 1/2" NPT Process x 3/4" NPT Conduit |

DIN Style 316 Stainless Steel Screw Cover Connection Head

| CODE | DESCRIPTION |
|--------|-------------------------------------|
| 210904 | 1/2" NPT Process x 3/4" NPT Conduit |