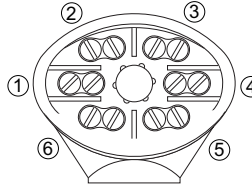
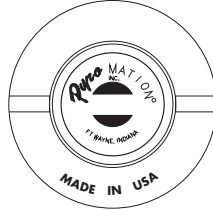
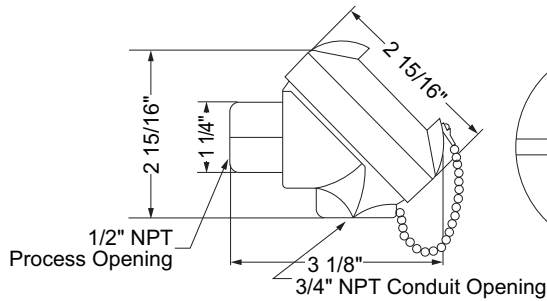


The thermoplastic connection heads shown on this page are molded from white polypropylene and grey Delrin®. They meet NEMA 4 requirements for indoor or outdoor non-hazardous use to provide protection against dust, rain, splash water, and hose directed water. The heads are provided with an O-ring, stainless steel chains and pins, and all heads have a 1/2" NPT process opening and a 3/4" NPT conduit opening. Both heads will also accept the below listed series 340 ceramic terminal blocks and Pyromation's series 440 RTD temperature transmitters.



CONNECTING HEAD CODE	TERMINAL POSITIONS AS SUPPLIED
480-390	①-④ Screw Insert Only
482-392	①-④
483-393	①-③-④
486-396	All Positions

Unpigmented White Polypropylene

The molded, unpigmented, white polypropylene head is FDA compliant for use in sanitary applications, and has a continuous temperature use rating of 198 °F. The polypropylene head provides excellent resistance to acids, alkalines, and most process chemicals and meets NEMA 4X requirements. It also provides good strength, is scratch resistant, and has excellent resistance to environmental stress cracking.

CODE	TERMINAL DESCRIPTION	MAX. WIRE GA. SIZE
480	No terminals-supplied w/transmitter mtg. inserts	N/A
482	Head supplied w/ 2 self-contained terminals	18
483	Head supplied w/ 3 self-contained terminals	18
486	Head supplied w/ 6 self-contained terminals	18

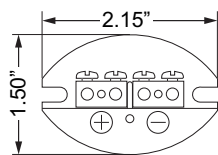
Grey Pigmented Delrin®

The grey pigmented head is molded of Delrin® 500HP, and although this material is attacked by strong acids, it provides good resistance to most weak acid solutions, alkalines, salt water, and provides good weathering resistance to sunlight and meets NEMA 4X requirements. This grey pigmented head is not FDA compliant, but it does have a relatively high continuous temperature use rating of 275 °F.

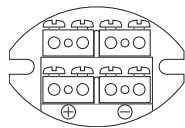
CODE	TERMINAL DESCRIPTION	MAX. WIRE GA. SIZE
390	No terminals-supplied w/transmitter mtg. inserts	N/A
392	Head supplied w/ 2 self-contained terminals	18
393	Head supplied w/ 3 self-contained terminals	18
396	Head supplied w/ 6 self-contained terminals	18

CERAMIC TERMINAL BLOCKS

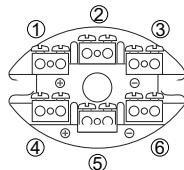
The terminal blocks, listed below, fit all Pyromation series 300, 400, 500, 800, and 900 connecting heads. The terminal blocks are provided with a stearite ceramic base, brass terminal pieces, and stainless steel screws. These terminal blocks are not rated for high voltage use, but can be used in temperature sensor or low voltage Class 2 circuits. Series 341 and 342 terminal blocks accept up to an #8 gauge wire and the series 343 accepts up to a #10 gauge wire.



5/8" THICK SINGLE BLOCK #341



15/16" THICK DUPLEX BLOCK #342



7/8" THICK TRIPLEX BLOCK #343

TERMINAL BLOCK CODE	TERMINAL POSITION AS SUPPLIED
343-2	①-③
343-3	②-④-⑥
343-4	①-③-④-⑥
343-6	All Positions



Replacement Component Parts

CODE	DESCRIPTION	CODE	DESCRIPTION
341	Single terminal block	349-3	O-ring
342	Duplex terminal block	353	Plate for spring-loading and transmitter mounting
343-2	Triplex terminal block with 2 brass terminals	382	1/8" OD spring-loading sheath spring
343-3	Triplex terminal block with 3 brass terminals	383	3/16" OD spring-loading sheath spring
343-4	Triplex terminal block with 4 brass terminals	384	1/4" OD spring-loading sheath spring
343-6	Triplex terminal block with 6 brass terminals	386	3/8" OD spring-loading sheath spring